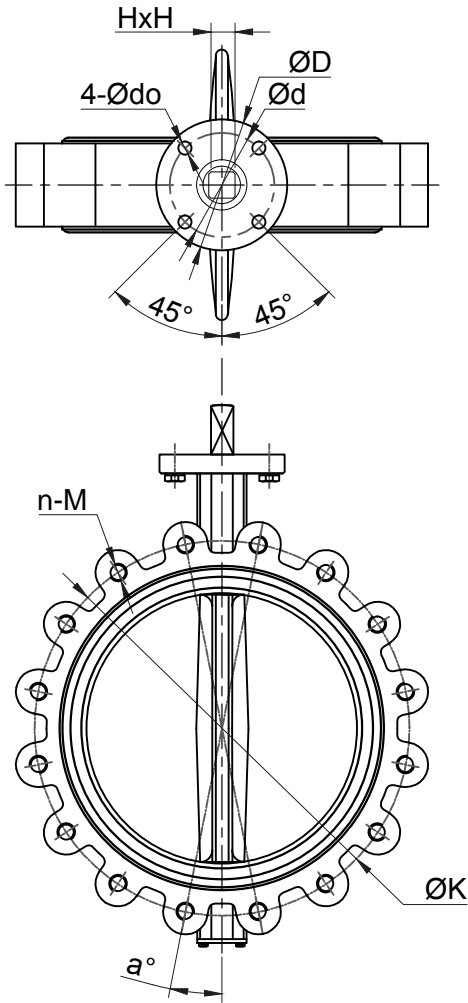


DRG No. ED0188

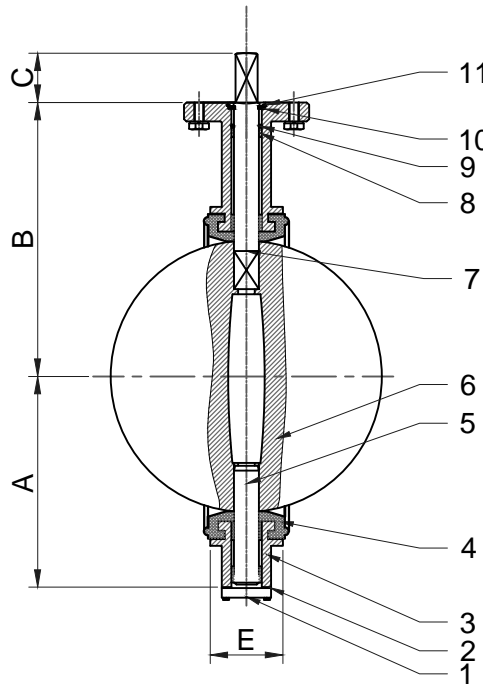
IF IN DOUBT ASK

ALL DIMENSIONS IN MILLIMETRES UNLESS STATED

DO NOT SCALE

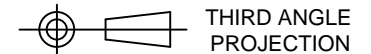


SIZE	A	B	C	E	ØK	n - M	a°	ØD	Ød	4-Ødo	HxH	Kg
DN350	263	346	29	78	470	16-M24	11.25°	150	125	4 - 14	27x27	65.48
DN400	300	375	29	102	525	16-M27	11.25°	175	140	4 - 18	27x27	106.30
DN450	333	400	38	114	585	20-M27	9°	175	140	4 - 18	27x27	135.10
DN500	366	432	38	127	650	20-M30	9°	175	140	4 - 18	36x36	208.50
DN600	447	562	38	154	770	20-M33	9°	210	165	4 - 22	36x36	288.90



Face to Face Dim. According to EN558 Series 20  
 ISO5752 Series 20  
 BS5155 Series 4  
 Top Flange According to ISO5211  
 Flange Accomodation: EN1092-1 PN16

REV	DATE	DESCRIPTION OF REVISION	SIGN



DESCRIPTION:

**EUROTORC ETL-711  
 LUGGED & TAPPED BUTTERFLY VALVE  
 DN350 TO DN600**

ITEM	DESCRIPTION	QTY
1	LOWER STEM COVER	1
2	LOWER STEM COVER SEAL	1
3	BODY	1
4	SEAT	1
5	LOWER STEM	1
6	DISC	1
7	UPPER STEM	1
8	BEARING	5
9	STEM SEAL	1
10	ANTI-EXTRUSION RING / FOLLOWER	1
11	CIRCLIP	1

EUROTORC  
 sales@eurotorc.com  
 www.eurotorc.com



DRAWN SMP  
 DATE 16/06/15  
 APPROVED

THIS DRAWING IS THE PROPERTY OF EUROTORC AND MUST NOT BE COPIED, LENT OR USED IN PART OR IN WHOLE WITHOUT WRITTEN CONSENT.